

# Service-Information Motorcycle



BMW NA  
Service Department

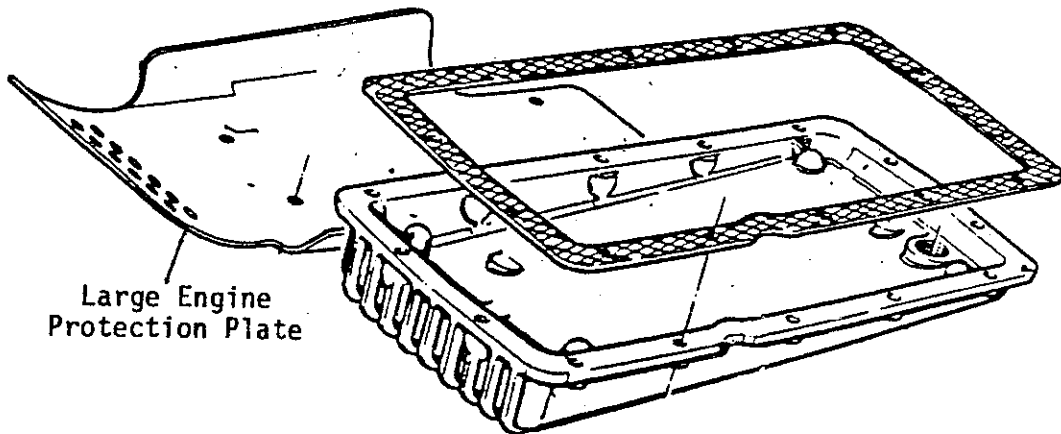
Group: 51  
Equipment

April, 1988  
51 001 88  
(2302)

For USA Only

## R100GS Optional Large Engine Protection Plate

- Problem:** The screws that mount the optional large engine protection plate may loosen when the motorcycle is operated at continuous high engine speeds.
- Part No.:** 51 47 2 303 560
- Action:** For this reason, do not install this protection plate as supplied. Notify any customers that currently have this plate installed on their R100GSs and reinstall the original engine protection plate.
- Solution:** An improved protection plate mounting is being developed for the R100GS. You will be notified through the Parts Department when it becomes available.



Very truly yours,

BMW OF NORTH AMERICA, INC.

Frank Stevens  
National Service Manager

Richard Dampf  
National Technical Manager

FS:je1/717.3