

# Service-Information Motorcycle



BMW NA  
Service Department

Group: 3  
Equipment  
Advice

December, 1992  
XXIX/92  
(2564)

For USA Only

## Special Tools - R and K Models

**Information:** Attached are drawings of new special tools. Each drawing has the tool part number and a description of the tools application.

**Note:** -A Service Information is being prepared to described tool (31 4 890).

-Special tool (13 0 900) and (31 0 910) are used to set CO on R models with pulse air systems. Since a CO meter is a required tool, these adapters will be sent to each dealership under our automatic tool shipment program and charged to your parts account. A description of how to use the adapters is in the R100R repair manual microfiche.

-Special tool (13 0 800) Synchro Tester is described in detail in our Service Information (2538) Group 3.

-Tool modification (12 3 500) spark plug wrench (K models). Due to close tolerances around the spark plug, the plastic sleeve on the wrench must be shortened.

Clamp the spark plug wrench in a vice and push it out of the plastic sleeve a small amount. Shorten the sleeve by 9mm. Press the spark plug wrench back into the sleeve until it's flush.

Very truly yours,

BMW of North America, Inc.

Frank Stevens  
National Service Manager  
Motorcycle Group

Richard Dampf  
National Technical Manager

FS:tb/403.8

|                                                         |       |       |          |             |
|---------------------------------------------------------|-------|-------|----------|-------------|
| Please initial and route to the following before filing |       |       |          |             |
| Service                                                 | Parts | Sales | Warranty | Technicians |

|          |               |                             |
|----------|---------------|-----------------------------|
| 00 2 640 | General tools | Special tools<br>Motorcycle |
|----------|---------------|-----------------------------|

Torx socket wrench

For removing and installing the sensor on models with ABS

---

---

---

---

---

---

---

---

---

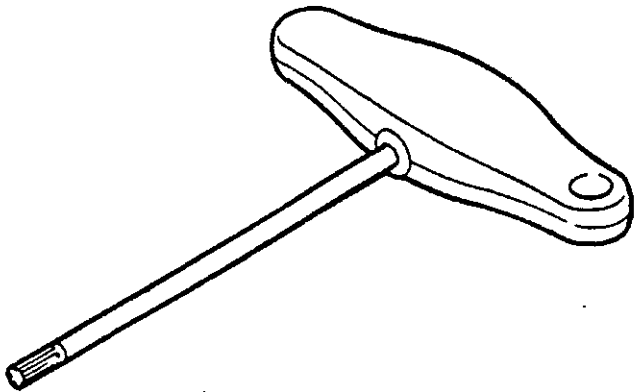
---

---

---

---

---



00 2 640

**Area of application**

K models: all

---

---

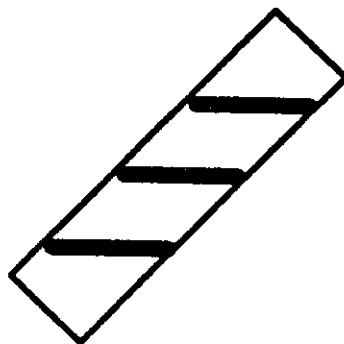
---

---



Mounting sleeve, 6 mm

For protecting the valve shaft seal when assembling



11 1 960

| Application:       |                   |                  |                   |
|--------------------|-------------------|------------------|-------------------|
| R 50/5 — R 75/5    |                   | R 45, R 65       |                   |
| R 60/6 — R 90 S    |                   | R 45, R 65       | ab Modelljahr '81 |
| R 60/6 — R 90 S    | ab Modelljahr '75 | R 65 L S         |                   |
| R 60/7 — R 100 RS  |                   |                  |                   |
| R 80/7 — R 100 RS  | ab Modelljahr '79 | K 100 — K 100 RT |                   |
| R 100/7 — R 100 RS | ab Modelljahr '81 | K1, K100 RS      |                   |
| R 80 G/S           |                   |                  |                   |
| R 80 ST            |                   |                  |                   |
| R 80 RT            |                   |                  |                   |



BMW Synchrotester

For synchronising throttle butterfly systems or more than one carburettor

13 0 801 Synchrotester

13 0 802 Lead for power supply

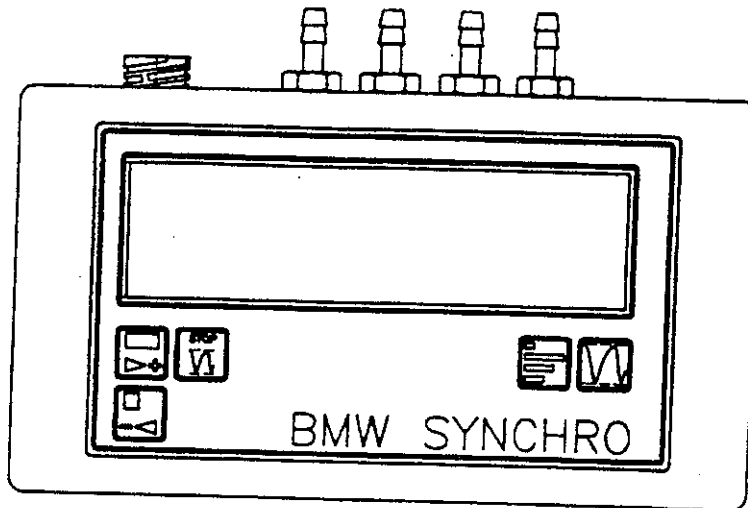
13 0 803 Adapter for connection to battery

13 0 804 Vacuum line

13 0 805 Adapter, straight

13 0 806 Adapter, T-shape

13 0 807 Hose clip



13 0 800

|                                                |                   |                  |                   |
|------------------------------------------------|-------------------|------------------|-------------------|
| Application: All models with vacuum connection |                   |                  |                   |
| R 50/5 — R 75/5                                |                   | R 45, R 65       |                   |
| R 60/6 — R 90 S                                |                   | R 45, R 65       | ab Modelljahr '81 |
| R 60/6 — R 90 S                                | ab Modelljahr '75 | R 65 L S         |                   |
| R 60/7 — R 100 RS                              |                   |                  |                   |
| R 80/7 — R 100 RS                              | ab Modelljahr '79 | K 100 — K 100 RT |                   |
| R 100/7 — R 100 RS                             | ab Modelljahr '81 |                  |                   |
| R 80 G/S                                       |                   |                  |                   |
| R 80 ST                                        |                   |                  |                   |
| R 80 RT                                        |                   |                  |                   |



Stop screw for PAS line

---

---

---

---

---

---

---

---

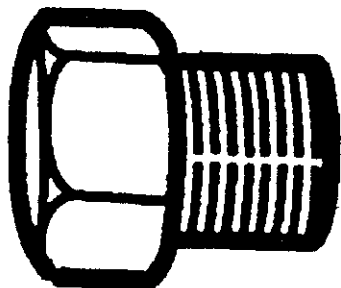
---

---

---

---

---

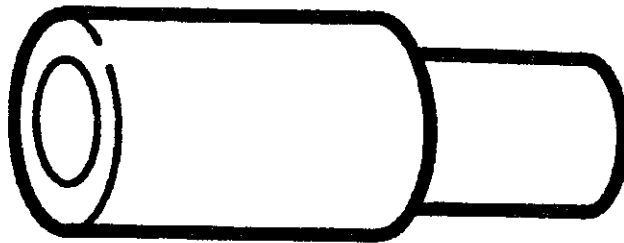


|                                            |                              |
|--------------------------------------------|------------------------------|
| Application: All flat-twin models with PAS |                              |
| R 50/5 — R 75/5                            | R 45, R 65                   |
| R 60/6 — R 90 S                            | R 45, R 65 ab Modelljahr '81 |
| R 60/6 — R 90 S ab Modelljahr '75          | R 65 L S                     |
| R 60/7 — R 100 RS                          |                              |
| R 80/7 — R 100 RS ab Modelljahr '79        | K 100 — K 100 RT             |
| R 100/7 — R 100 RS ab Modelljahr '81       |                              |
| R 80 G/S                                   |                              |
| R 80 ST                                    |                              |
| R 80 RT                                    |                              |



CO measuring adapter

For connecting up the CO measuring adapter to the PAS line



13 0 910

|                                            |                   |                  |                   |
|--------------------------------------------|-------------------|------------------|-------------------|
| Application: All flat-twin models with PAS |                   |                  |                   |
| R 50/5 — R 75/5                            |                   | R 45, R 65       |                   |
| R 60/6 — R 90 S                            |                   | R 45, R 65       | ab Modelljahr '81 |
| R 60/6 — R 90 S                            | ab Modelljahr '75 | R 65 L S         |                   |
| R 60/7 — R 100 RS                          |                   |                  |                   |
| R 80/7 — R 100 RS                          | ab Modelljahr '79 | K 100 — K 100 RT |                   |
| R 100/7 — R 100 RS                         | ab Modelljahr '81 |                  |                   |
| R 80 G/S                                   |                   |                  |                   |
| R 80 ST                                    |                   |                  |                   |
| R 80 RT                                    |                   |                  |                   |

|          |          |                             |
|----------|----------|-----------------------------|
| 31 4 890 | Steering | Special tools<br>Motorcycle |
|----------|----------|-----------------------------|

**Pressure ring**

For adjusting steering-head bearing play

---

---

---

---

---

---

---

---

---

---

---

---

---

---

---

---

---

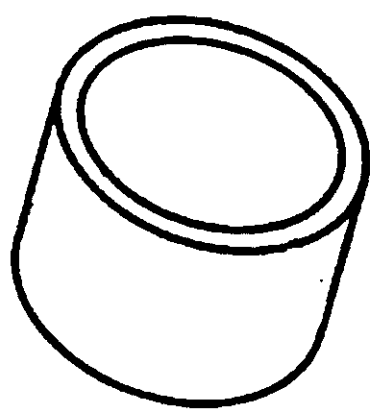
---

---

---

---

---



**Area of application**

**31 4 890**

All models with fine-thread adjustment on steering-head bearing

---

---

---

---

---





|          |                  |                             |
|----------|------------------|-----------------------------|
| 31 5 550 | Front-Wheel Fork | Special Tools<br>Motorcycle |
|----------|------------------|-----------------------------|

**Clamp device**

To depress upper spring bearing to remove locking ring.

To clamp damper cartridge.

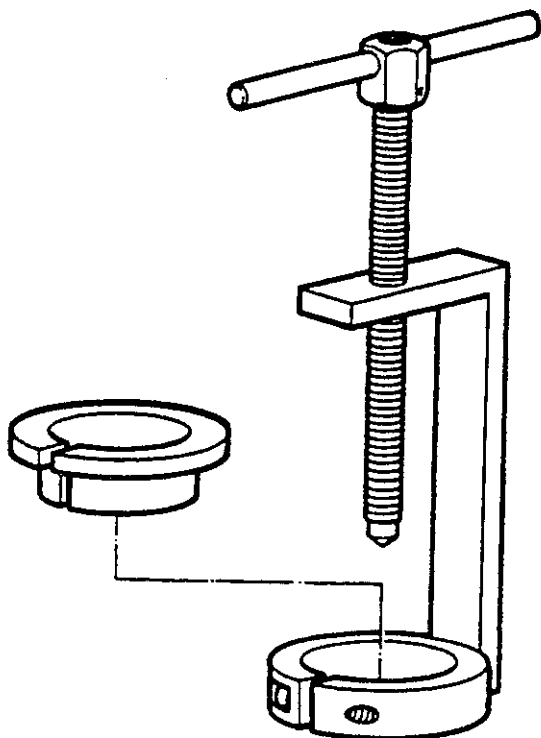
31 5 551 Pressure spindle

31 5 552 Clamp clip

31 5 553 Clamp insert for K 75, K 100, R 100 R, K - mod. from 92 (4 - V)

31 5 554 Clamp insert for R 65 - R 100 RS from 85 mod.

31 5 555 Clamp insert for R 45 - R 65 LS



**31 5 550**

**Area of Application :**

Boxer and K models

|          |                  |                             |
|----------|------------------|-----------------------------|
| 36 3 950 | Wheels and tyres | Special tools<br>Motorcycle |
|----------|------------------|-----------------------------|

Front-wheel stand

For removing the front wheel on motorcycles with full fairings or engine spoiler and for raising the front wheel to check the fault memory on models with ABS.

- 36 3 951      Front wheel stand, can be used without adapter for K 1, K 100 RS, K 100 LT (16 V)
- 36 3 952      Adapter for K 100 and K 75, up to 1991 model
- 36 3 953      Adapter for K 75, from 1992 model
- 36 3 954      Adapter for K 1100 LT

---



---



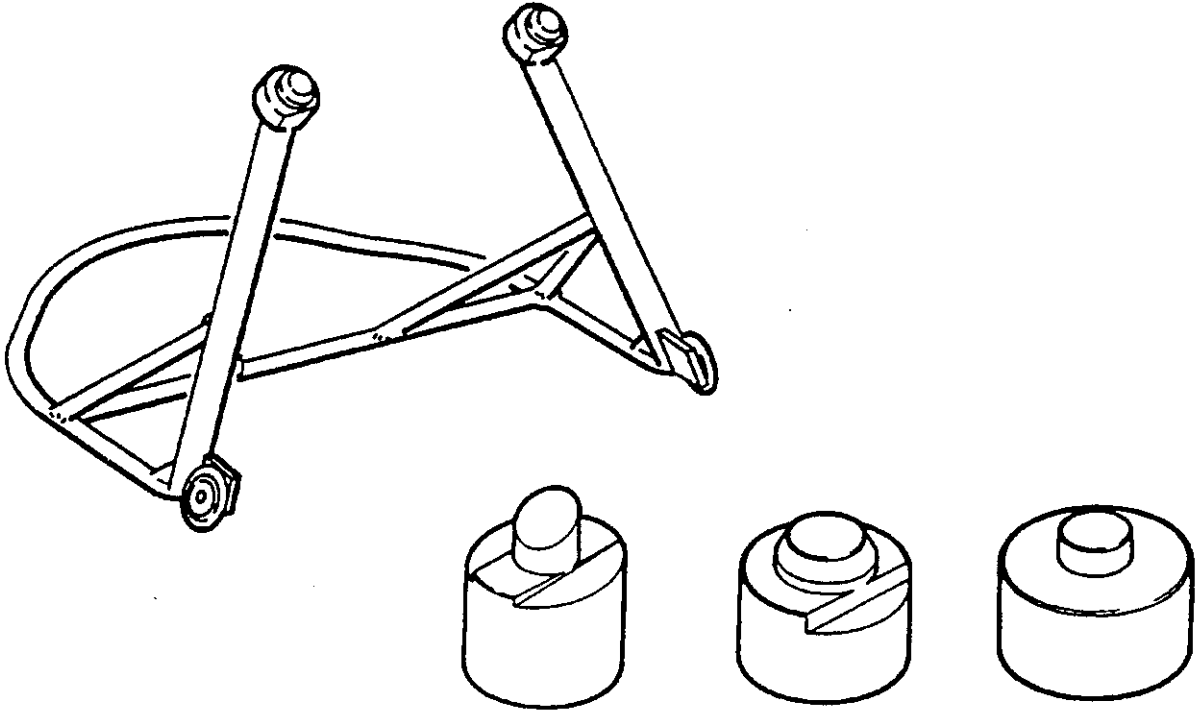
---



---



---



**36 3 950**

**Area of application**

K models

---



---



---



---



